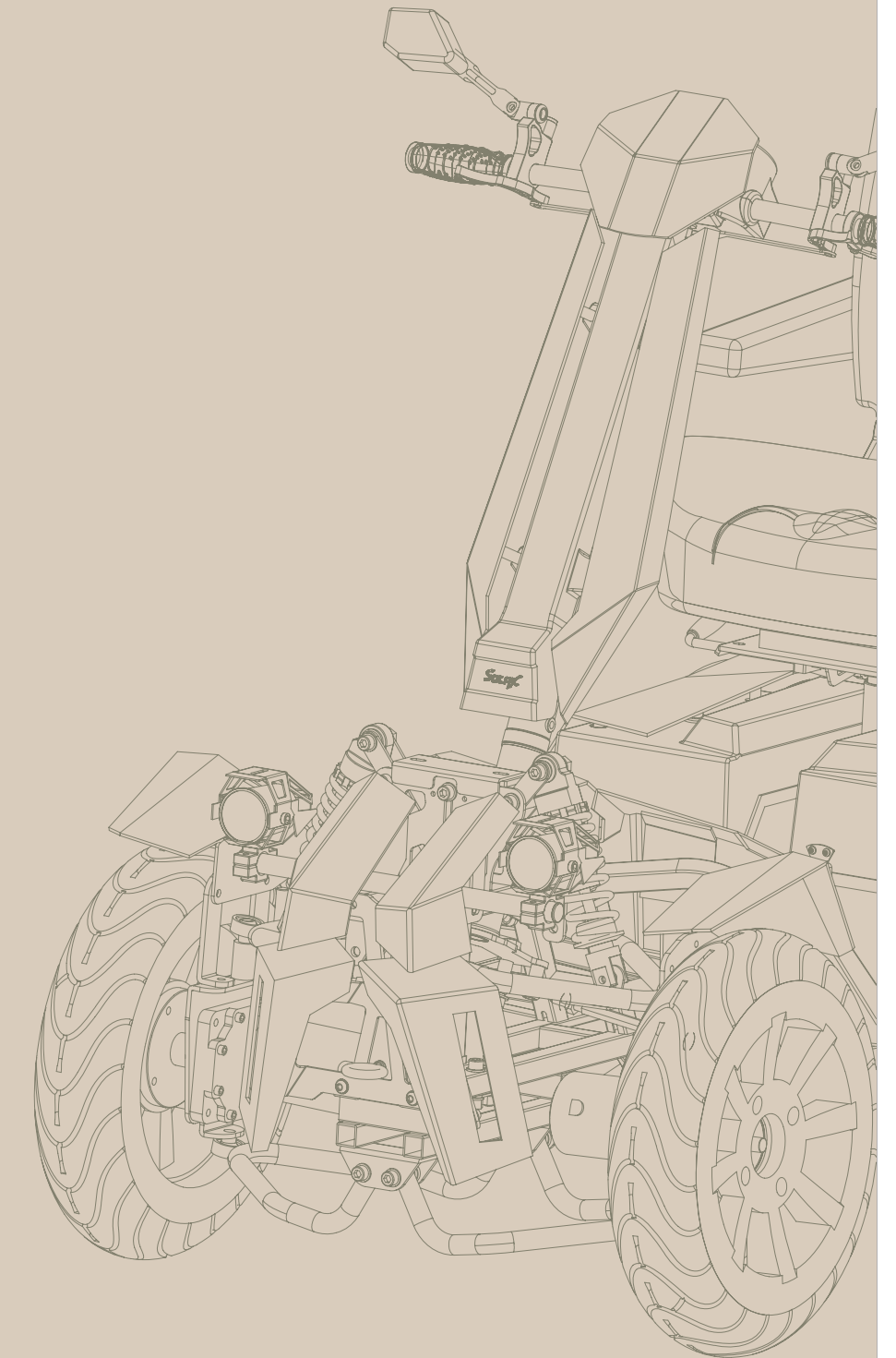


S 6021



www.solaxtech.com



Solax Technology Corporation
Qiao Tou 3rd Industrial Area,
Hou Jie Town, DongGuan City,
GuangDong Province,
China




+86 769 859 22501

info@solaxtech.com

Instruction

Dear customers

Thank you very much for your selection and use of Solax mobility scooter. Please read this manual carefully before using the scooter. If you have any question or need any further assistance, please contact the local dealer or Solax Technology Ltd.

 +86 769 859 22501
 +86 769 859 22505
 info@solaxtech.com

- › The manual includes Maintenance Recording and Warranty card, please always keep them with the mobility scooter.
- › Please pass the manual to any future user who would like to own the mobility scooter.
- › This Owner's Manual is composed from the product design and specification at the time of publication. As designs change, some illustrations and pictures in the manual may not correspond to the scooter that you purchased. We reserve the right to make modifications.
- › Users are required to be in good condition both in physical and mental.

We believe Solax Mobility Scooter will not only provides you convenience, but also brings you the joy of life.

Contents

<i>Safe Operating Instruction</i>	→ 3-6
<i>Electromagnetic interference (EMI)</i>	→ 7
<i>Basic Structure</i>	→ 8
<i>Technical Specification</i>	→ 9
<i>Basic Function of Operations</i>	→ 10-13
<i>Charging Introduction</i>	→ 13-16
<i>Operation Instruction</i>	→ 16-17
<i>Road condition choices and Precautions</i>	→ 17
<i>Maintenance, Repair and Storage</i>	→ 17-18
<i>After-Sales Service</i>	→ 18-20



Safe Operating Instruction



Fig.1

Do not leave children alone, while they are playing nearby the scooter.



Fig.2

No drunk driving.



Fig.3

Do not use cell phone while riding the scooter.



Fig.4

Make sure there is not any obstacles behind you while reversing.



Fig.5

No sharp turning or sudden stop



Fig.6

Never drive into traffic.



Fig.7

Do not attempt to drive on slopes steeper than 15 degrees.



Fig.8

Keep both hands and feet on the scooter while in motion.



Fig.9

No driving in snow.



Fig.10

Fasten seat belt and rest feet on the designated foot plate.

General Introduction



Warning: Please read and understand the manual before your first drive.

- › Do not operate the scooter on public streets and roads, as other vehicles may not see you while you are riding. Please obey the traffic rules while riding.
- › Make sure the power is off while getting on and off mobility scooter to prevent harm to anybody.
- › Before driving, please check the tyres first. While the scooter is in motion, do not set the electric switch off, otherwise the scooter would stop suddenly.
- › In case of any accidents, please read and understand the user's manual before using the scooter and its accessories. Please contact the local dealer or technician if you have any question on warnings, precautions and the user's manual.
- › Please handle carefully while lifting up or moving the mobility scooter to avoid damaging.
- › Please use the scooter according to the description in the user's manual.
- › Do not sit on the mobility scooter while it is in any moving vehicles.
- › Please keep your hand away from the scooter wheels. Be aware of loose fitting clothes that can become caught in the drive wheels.
- › Never take off the anti-tilt device if the scooter has it.
- › Please do not make changes to the rectifier and charger without prior permission.
- › Drive your scooter straight up any incline. This greatly reduces the possibility of a tip or a fall. Don't climb a slope steeper than the scooter's limitation.
- › To avoid turnover or side fall, never reverse on stages, road edges or any other obstacles.
- › Please reduce your speed if you want to turn a corner. When you are in high speed, please do not make a sharp turn.
- › Bad weather or environments will affect the scooter's electrical system. Thus, please do not drive the scooter in rain, snow, mist or any slippery surfaces.
- › Please do not sit on the scooter while in the elevator or any lift.
- › Never touch the motor of the mobility scooter after operation.

Modifications

Do not alter, add or take off any part from mobility scooter, otherwise it may lead to damage or loss.

- › Do not alter Solax mobility scooter without consulting Solax Technology Ltd. and never use any unauthorized or untested parts. We strongly suggest a qualified technician is required for modifying parameter of controller.
- › It is necessary for users to understand the capability of the mobility scooter.

Safety inspection before operating the mobility scooter

- › Please check tyre pressure of pneumatic tyres.
- › Please make sure all the electric wires are not showing signs of corrosion.
- › Make sure all the connecting points are fixed.
- › Please check the brakes.

Weight limitation

- › Maximum loading capability is 150 kgs, please refer to technical specification.
- › Warranty is void by violating weight limitation.
- › No additional passenger is allowed, or the scooter could easily topple over.

Tyre inflation

- › It is necessary to check tyre pressure weekly for the mobility scooter equipped with pneumatic tyres.
- › The life of tyres will be extended and the smoothness of driving is ensured under proper tyre pressure.
- › Keep tyre pressure around 2.8 KPa. Do not have under or over inflation.
- › Inflation through unqualified equipment may result in tyre burs.

Temperature

- › Many parts of the mobility scooter are affected by temperature. The proper temperature of controller is between -25°C to 50°C.
- › Battery may get frozen under extreme low temperature and make the scooter unable to use. When under the extreme high temperature, the controller will automatically reduce the speed in order to protect the motor and other electrical components.

Electromagnetic interference (EMI)

Television, wireless and electromagnetic(EM) Radio waves are saturated in our life due to the development of electronics, especially in communication areas.

These waves are invisible. What's more, when you get close to the power source, the waves will become stronger. All scooters like receivers of electromagnetic waves. Therefore, scooter is easily influenced by electromagnetic waves. These interferences may make the scooter move unintentionally or could result in it not operating smoothly.

Taking the model S6021 for example, it's easy to be interfered by the Electromagnetic interference from radio stations, TV stations, radio transmitters, shop alarm systems and so on.

The influences on mobility scooters could be the malfunction of brakes, self-moving or unexpected direction, which will cause damage to the controller.

EM is measured by volts. Every scooter has the ability to resist certain EM, which is called anti-interference ability. By far, this ability is up to 20V/m, which is useful to resist general EMI.

To prevent unexpected brake malfunction and self-moving, the warnings below are very useful.

- Be aware of transmitters such as radio or TV stations, and keep away from them if possible.
- Turn off the power of mobility scooter at once if there is any unintended movement or brake release occurs.
- Be aware that adding accessories or components, or modifying the powered scooter, may make it more susceptible to interference from radio wave sources (Note: It is difficult to evaluate the effect on the overall immunity of the powered scooter).
- Any private increase of accessories or components may leave mobility scooters more vulnerable to the interference of radio wave sources (Note: It is difficult to evaluate the effect on the overall immunity of the powered scooter).
- Immediately provide feedback to manufacturer if the brake malfunctions and the scooter becomes self-moving. Please also indicate if there are any radio wave sources surrounded.
- Please immediately switch off power under the following situations:
Unintentional movements
Unable to control direction.
Unexpected brake malfunction

Basic structure



- | | | |
|-----------------|----------------------|---|
| ① Control Panel | ⑦ Rear Wheel | ⑬ Seat Sliding Rail |
| ② Backrest | ⑧ Middle Cover | ⑭ Tiller And Decorating Cover |
| ③ Armrest | ⑨ Front Side Cover 1 | ⑮ Angle Adjustment Switch Of The Tiller |
| ④ Seat Cushion | ⑩ Front Wheel | ⑯ Handle Bar |
| ⑤ Rear Cover | ⑪ Front Side Cover 2 | ⑰ Rearview Mirror |
| ⑥ Rear Plate | ⑫ Head Light | |

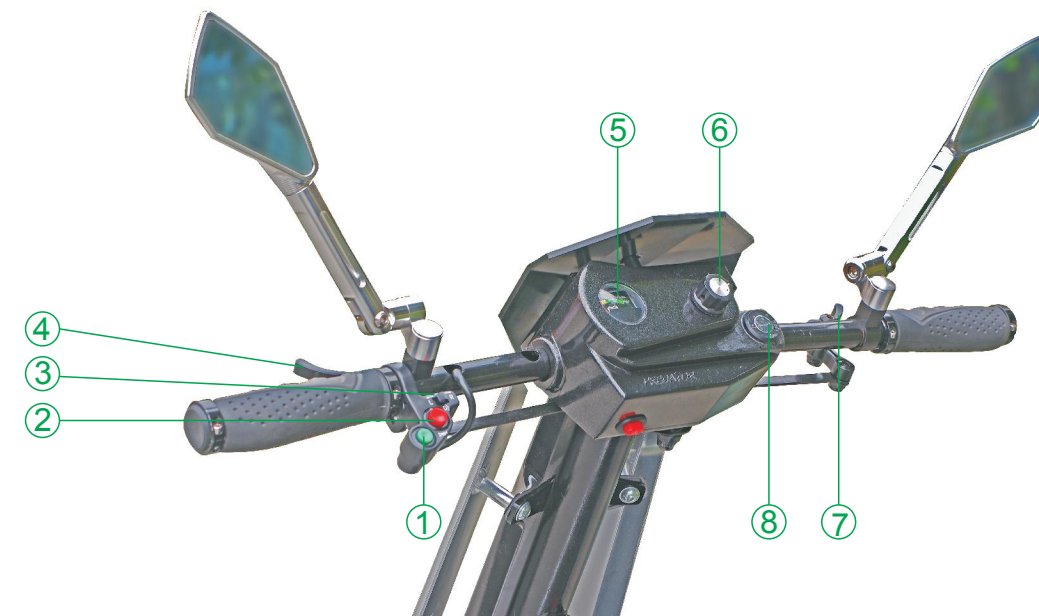
Technical specifications

Model	S6021
Weight Capacity	150kgs
Front And Rear Wheel	21inchs
Speed	0-20KM/H Adjustable
Cruise Range	35kms
Battery Specifications	36V40AH(Lithium),2pcs
Max Working Time Of Battery	2.5H
Charger	36V 7A
Controller	36V 200A
Motor	500W,4pcs
Brake System	Electromagnetic Brake
Driving System	4 Wheel Powerful Drive
Weight(including battery)	224kgs
Weight(without battery)	160kgs
Turning Circle	≤2500mm
Length	1669mm
Wide	900mm
Height	1455mm
Handle	Straight
Ground Clearance	Adjustable 245-320mm
Height Of Kerb For Descending	100mm
Max Climbing Capability	15 Degree
Color	Silver/Camouflage

Basic Operation Function

Driving and Braking

- › Insert the key into key hole and turn the key to power on.
- › Pull speed levers for forward and backward.
- › Right lever is for forward control and left lever is for backward as indicated in the below picture.
- › To stop scooter, please release levers.
- › Use speed control button for speed control according to your requirement.



- | | |
|-------------------------|---------------------------|
| ① Horn Control Button | ⑤ Battery Usage Indicator |
| ② Head Light Switch | ⑥ Speed Adjustment Button |
| ③ Turning Signal Switch | ⑦ Right Control Lever |
| ④ Left Control Lever | ⑧ Key Switch |

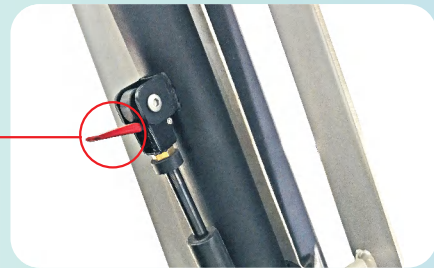


- ◆ Brake function will be activated automatically while the speed is over 30% of maximum speed while going down slopes.
- ◆ The mobility scooter may automatically move while brake is disengaged.
- ◆ Control system is disengaged when scooter moves freely.

The Adjustment of Hand Lever

- Push hand lever adjustment button up and down for proper position.
- Handle bars stay at the angle when hand lever adjustment lever is kept in original position.
- Do not adjust hand lever while driving.
- Make sure hand lever is adjusted at comfortable position.

Press down the hand lever adjustment button



Seat Adjustment and Dismantling

- The forward and backward seat adjustments can be made by simply pulling the hand lever on right side of seat for adjusting.
- The seat can be turned and fixed every 45 degrees, by pressing down and holding the seat turning lever while adjusting the direction of the seat. Keep the turning lever down all time while turning seat. Release the lever once the right direction is set. Make sure the fixing pin is locked in position.
- Turn the knob of armrest to the right or left for loosening the turning button, then press down armrest until it is at a suitable position.
- Seat Dismantling: Simply press down the rotational hand lever and keep lever at down position for seat dismantling.

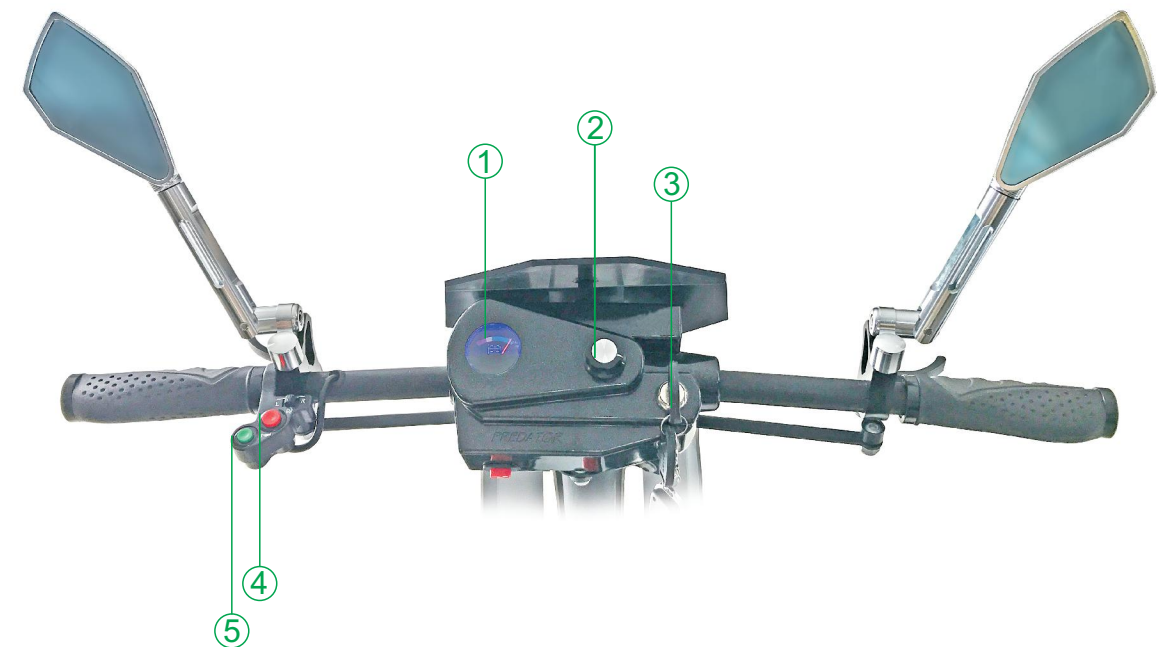


- ◆ Never operate your scooter until seat and armrest are fixed.
- ◆ Be careful, as hands may very easily get hurt during the process of seat adjustment.

The Operations on Control Panel

Please make sure you fully understand all the functions and operations on the control panel.

Control Panel



Function

- ① **Power Indicator:** Battery usage and charging indicator.
- ② **Parking light button switch:** Press the button for double flashing lights as parking signal.
- ③ **Head light button switch:** Press down for lighting up headlight and further press on button for flash of headlight.
- ④ **Horn Control Switch Button:** Press down to sound the horn and release to stop the horn.
- ⑤ **Speed Adjustment Button:** Turn anti-clockwise for slower speed control and clockwise for faster speed control.
- ⑥ **Key Switch:** Turn the key clockwise for power on and anti-clockwise for power off.

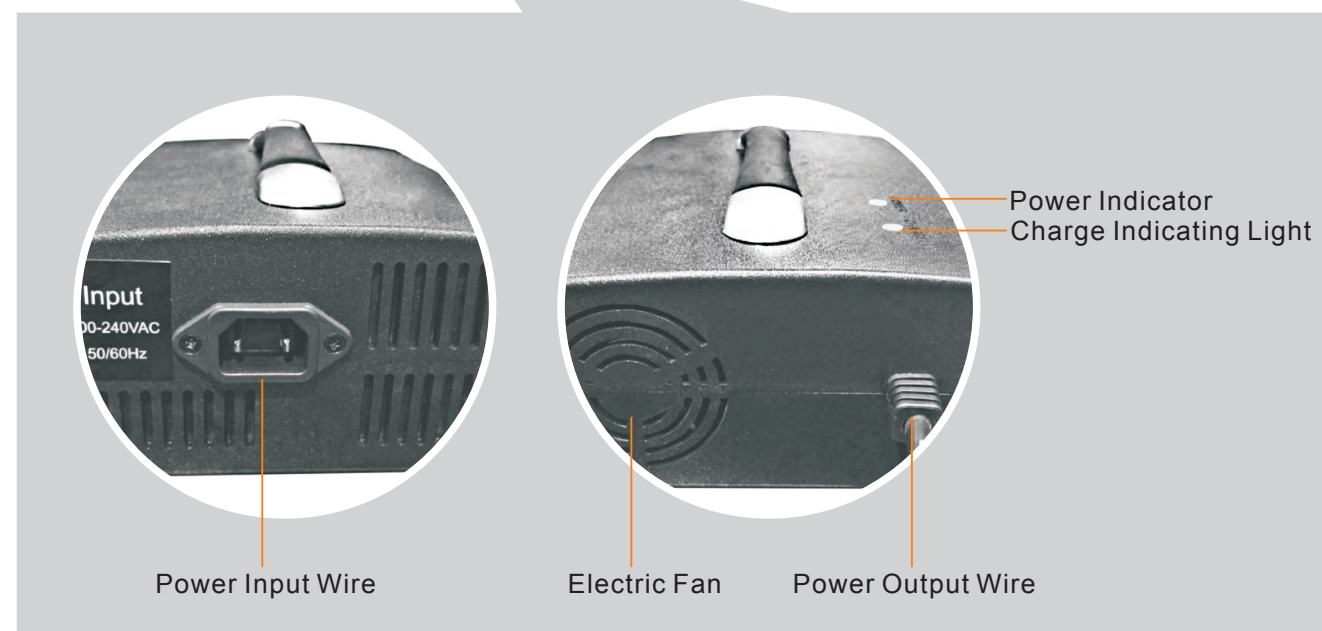
Electromagnetic Brake Lever

- The scooter is equipped with Electromagnetic Brake system and the system is automatically in open position while driving.
- It is automatically closed for safety while parking and locked to prevent sliding.
- Keep the Electromagnetic Lever in a closed position by pressing down brake lever to prevent unwanted movement of scooter. Release the lever when wanting to hand push the scooter or for towing.

Note

- Never overload mobility scooter. It is very easy to damage Electromagnetic Brake System, get hurt or damage the scooter.
- Do not push or tow mobility scooter with force, to prevent damage to the Electromagnetic Brake System.
- To avoid the mobility scooter rolling forward or backward, never keep the Electromagnetic Brake System in the open position. This will protect yourself from injury and the scooter from any damage.
- The friction pad in the Electromagnetic Brake can become worn. Please change it when necessary, particularly if you observe the scooter rolling and unable to brake.

Charging Introduction

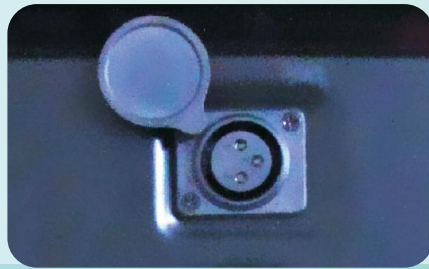


Charger Specification

Item	Battery Charging(On/Off Mode)
Model No.	LYD3607000
Output Current(DC)	7A
Charge Voltage (DC)	36 V
Floating Voltage(DC)	36.03 V
Input Current(AC)	5.0 A
Input Voltage(AC)	100~240VAC 50/60 Hz
Efficiency	AD-DC 80% (min)
Performance	On / Off Mode
Battery application	Constant current and constant voltage two stage
Charging Method	36V Lithium rechargeable battery(20Ahr~60Ahr)
Operating Temperature	-20~40°C (Celsius)
Measurement	L:93mm x W:57.2mm x H:232mm
Weight	2.65 Kgs
Color	Black
Output Detection	1. Circulate Short Protection 2. Output Voltage / Current Restriction 3. Reversed Power Protection 4. Overheat Detection

Battery Charging Procedure

- › Turn off the power before charging scooter.
- › Plug in socket of power supply wire and turn on power switch. Then connect to a DC Power Supply. The red light indicates that it is receiving power but not yet charging.
- › Open the anti-dust cover at the back of mobility scooter by turning it, then plug into the charging port.
- › Charging is in progress if the charging indication light is yellow and the fan is working.
- › Battery is fully charged when charging indication light turns from yellow to green.
- › Turn off the charging switch when fully charged.
- › Unplug the power cord of power supply wire first and then unplug charger cord on mobility scooter.
- › Make sure the charging socket is properly covered with anti-dust cover.



Charger port

Note

- › Make sure charger is placed horizontal to ground and is in a stable location. Avoid damage from dropping while charging.
- › For adequate heat dispersion, do not cover the charger when charging.
- › Do not stop charging while the charging indication light is just turning from yellow to green. Keep plugged in until the battery is fully charged.
- › **When it comes to floating charge, please keep it less than 1.5 hours to keep sufficient battery charging.**
- › Do not attempt to modify or change the charger.
- › When charging, please keep away from direct sunlight and use in a properly ventilated space.

Instruction on Battery

The mobility scooter uses Lithium batteries with no maintenance and fluid input required. It is necessary to charge fully before first time use.

- › The required charging time for the battery is normally between 1 to 8 hours depending on usage. If you have been charging for over 8 hours without the lighting indicator changing colour, please stop charging and immediately contact with your local Solax dealer or distributor.

Battery Charging Procedure

- › Over discharging the Lithium batteries used in the mobility scooter, will significantly reduce its service life.
- › The battery is required to be charged every month, even if it is not regularly used. Always store the battery in fully charged condition.
- › Do not dispose of unwanted batteries in general waste - please hand the battery to a professional battery recycling party.
- › Remove the battery from the mobility scooter when not in use and store it away from direct sunlight in a properly ventilated space.
- › Environmental factors affect the performance of the battery. The power of the battery may be significantly reduced when temperature is below 0 degree C. It is normal that cruising distance is shortened in winter or in cold areas. The performance of battery is expected to return to normal automatically when temperatures are above 20 degree C.

Operation Instruction

Dear Customer:

Thank you very much for carefully reading through and understanding the structure and function and the mobility scooter. We would like to introduce the Operation Procedure for you.

- › Please make sure battery is fully charged if you have a new purchase.
- › Check to make sure tyre pressure is sufficient.
- › Make sure electromagnetic brake lever is in closed position.
- › Check if tiller can be moved manually.
- › Adjust proper seat position and angle tiller for comfortable operation before mounting the mobility scooter. Make sure they are firmly fixed.
- › Insert the key into key switch and turn on. The indicating light on the control panel will be illuminated.
- › Always check if the remaining power in the battery is sufficient for your journey, shown by the battery indicator on the control panel.
- › Please use your right hand to turn the speed adjusting button towards the right, to adjust from lower speeds to higher speeds. Turn the speed control button until the desired speed is reached. Please note, top speed is reached if the speed control button can no longer be turned to the right. Please do not attempt to further turn the speed control button, as this may damage the control panel on your mobility scooter.
- › To go backward, pull the left lever gently with the fingers of your left hand. Make sure there are no obstacles behind the mobility scooter, to avoid any danger or damage.
- › Simply release the lever, and the mobility scooter should automatically apply the brakes.
- › Please refer to control panel instructions when other functions are required.
- › Do not leave the key in the scooter while parked or not in use. Always park mobility scooter at a proper and safe location.

Note:

Please never drink and drive. Do not drive when you are fatigued.

Road condition choices and Precautions

- › Always choose smooth road, drive slowly on rough surfaces.
- › Avoid muddy and wet road, stop driving if water level is over 1/3 of wheel.
- › Do not drive on stairs or in ravines.
- › Do not drive on slopes steeper than the specified gradient.
- › Avoid driving in heavy traffic.

Maintenance, Trouble Shooting and Storage

To ensure safety and comfort while using mobility scooter, and to prolong the scooter's life, the following suggestions are very useful.

Trouble Shooting

- › Periodically inspect the tightness of all fastening screws and nuts, paying more attention to those on wheels, once every three months.
- › Make sure tiller is fixed properly and make sure the bearing of the hand bar is not loose.
- › Check if seat and armrest are fixed firmly and steady with no shaking.
- › Constantly check that the electromagnetic brake stays within the required performance, every three months. Leave the mobility scooter on a limited and observe whether any sliding or rolling occurs.
- › To protect the wheels and tyre from deformation and explosion, always check tyre pressure and keep within proper range.
- › Visually inspect tyre tread, and change to new tyres when you notice that the tyre is worn out and has reached safety warning line.
- › Make sure hazard lights and horn work before driving.

Maintenance

- › Do not clean the mobility scooter directly with water. Clean regularly with a damp cloth.
- › Avoid operating the mobility scooter beyond its limitations.
- › Periodically take apart front and rear wheels, and apply lubrication on their bearings.
- › Inspect and replace the brushes every six months.
- › Keep all electronic components away from any liquids. Make sure they are dry before using the mobility scooter.

Storage

- › Store mobility scooter in dry, under proper ventilation and away from direct sun light at higher location, keep away from lower water location or high moist land.
- › Proper protections against sun light and rain are required if leave mobility scooter outdoor.
- › Keep away from dust and take out battery with full charge if not going use mobility scooter for long time. During the time of storage, monthly charge battery once is required.

After-Sales Service

It is necessary to keep the user's manual at hand at all times to ensure the legal rights of the customer. Inspect and test the mobility scooter while purchasing. Check with sales people for right operational methods and maintenance knowledge. Have your invoice, warranty card and contact information ready if you need to report any issues with quality.

NO.	Spare parts name	Quality issue	Warranty
1	Scooter frame	Desoldering, broken	Three-year limited warranty
2	Control Panel	Button malfunction, and panel cover take off	One-year limited warranty
3	Accelerator	Can not back to original position, fail to control	One-year limited warranty
4	Speed Controller	Fail to control	One-year limited warranty
5	PCB Board	Fail to work	One-year limited warranty
6	Controller	Fail to work	One-year limited warranty
7	Motor	Coil burned, noise, weak	One-year limited warranty
8	Differential Mechanism	Noise, axles broken, gear dead, box broken, oil spill	One-year limited warranty
9	Electromagnetic Brake	Fail to work, can not brake in normal condition, noise	Half an year limited warranty
10	Battery	Liquid leakage	Half an year limited warranty
11	Charger	Fail to work	Half an year limited warranty

Note:

The warranty excludes any defects made from human error.

Remark

- Please contact with authorized Solax Dealer when mobility scooters have issues within above warranty.
- Any functional defect found in 15 days from purchase will be covered with free repair.
- Solax guarantee that for any defect on main electric parts such as motor, controller, charger and so on, the repair labor cost will be charged only if it is beyond warranty period.

The maintenance period is effective from the date shown on original purchasing commercial invoice.

Warranty excludes the following situations

- Maintenance and adjustment which do not follow user's manual.
- If customers take apart and alter the mobility scooter without following the listed procedure and instruction on their own.
- Accidents, improper operation and storage, and damage caused by customer.
- If warranty card and invoice do not match.
- Consumable components such as rear mirror, horn, bearing, turning button, bulb and so on. Take apart components which are not suggested in user's manual.
- The self repairing cost which is not approved by authorized Solax dealers.
- Damages caused by natural disasters or accidents, such as typhoons, floods, earthquakes, car accident, war and so on.

Maintenance Principle

Solax is responsible for repairing that which is within warranty range. The charge of repairing work and cost of parts will be based on listed cost.

Product warranty card

- Please keep the warranty card safe, and show it if you need repairing.
- The warranty is valid from your purchase date.
- Without the authorized dealer's signature and stamp, it is not covered by legal protection.
- The warranty card should be filled out carefully. Please confirm the information on your warranty card is correct, or the warranty claim may be rejected.

SOLAX electric vehicle
Product Warranty Card

Name		ID No.	
Address		Phone No.	
Model		Item No.	
Purchasing Date	Y	M	D
Guarantee Time	12 months warranty from purchase date. Battery is 6 months warranty		
Manufacturer	Dongguan Prestige Sporting Goods Co.Ltd.		
Dealer (Stamp or Sign)			
Phone No (or Address)			